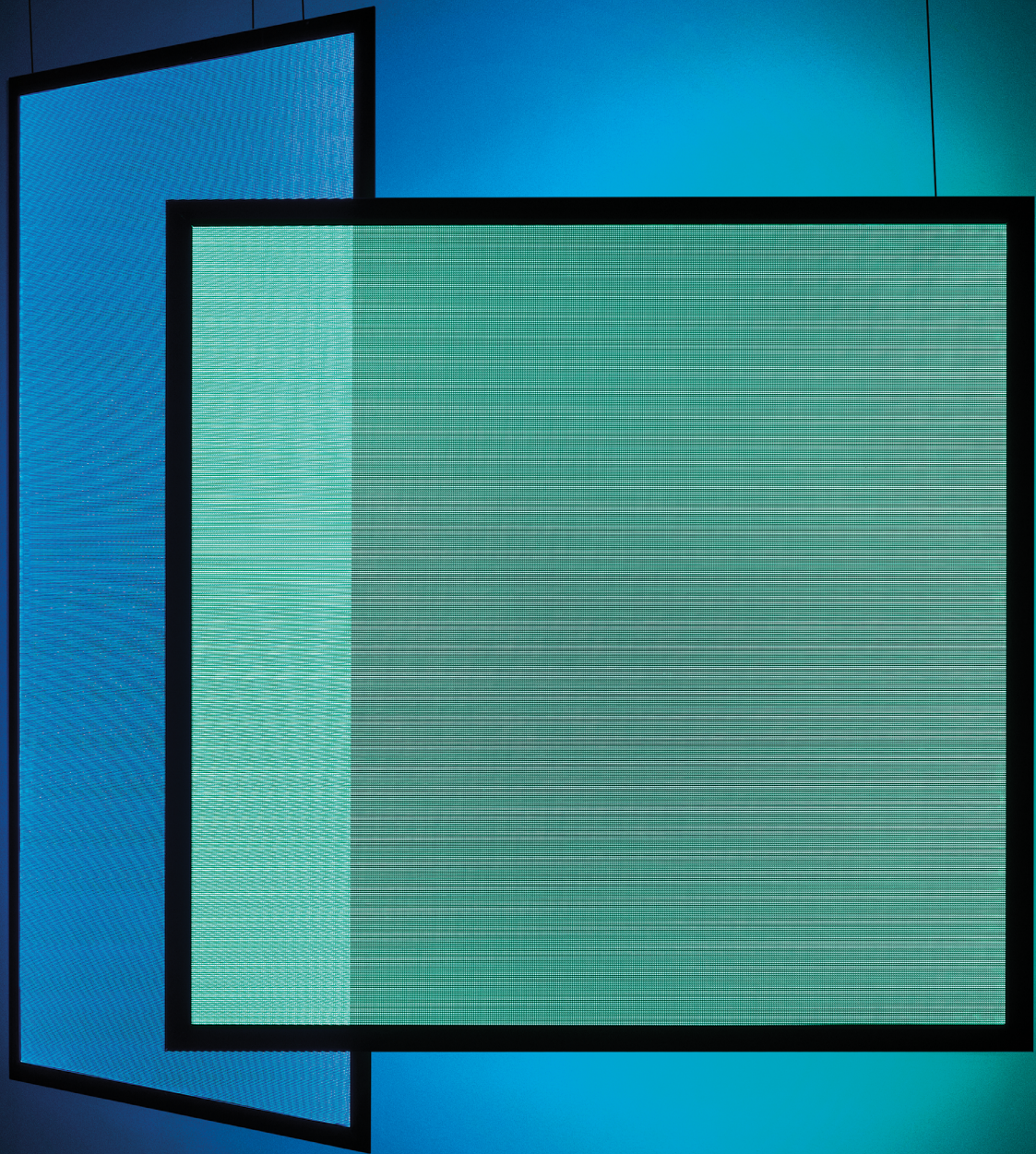


Artemide®



Discovery
by Ernesto Gismondi

Discovery

Ernesto Gismondi

↪ 2015

Discovery is an element that does not invade the environment, totally absent and dematerialized acquires volume when it is turned on thanks to the light that draws the central emitting surface.

In 2018 Discovery was awarded the Compasso d'Oro, for its ability to interpret research, technological and material innovation, know-how and attention to the quality of light for human wellbeing. Discovery is a family of appliances based on minimal geometry.

A very light aluminum ring houses an LED strip that injects light into a specially worked surface of transparent PMMA. The diffuser is composed of a perfectly transparent PMMA surface, processed

with micro particles so small that the surface is hardly perceptible when the appliance is turned off.

When the appliance is turned on, the transparent interior appears to fill with light as if by magic, as absence is turned into a perfectly diffusing emitting surface.

This unique result is obtained through Discovery's direct and indirect emissions, which produce an embracing and uniform light. Their geometry and layout are calculated to obtain constant emission throughout the surface.

Discovery is an unprecedented development of a well-know optical principle, conveyed through the controlled interaction with matter and a focus on its yield and perceptive qualities.

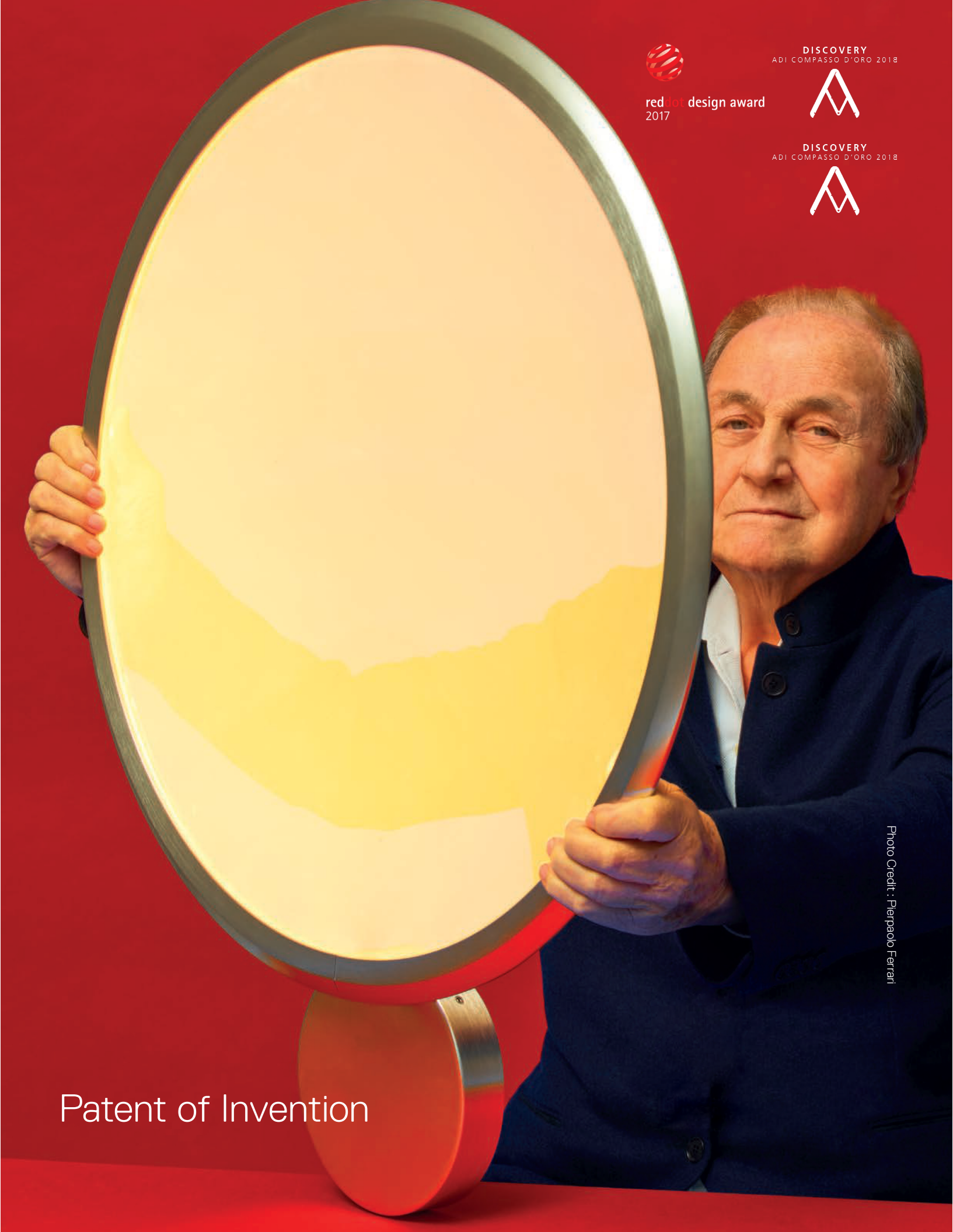


Photo Credit : Pierpaolo Ferrari

Patent of Invention

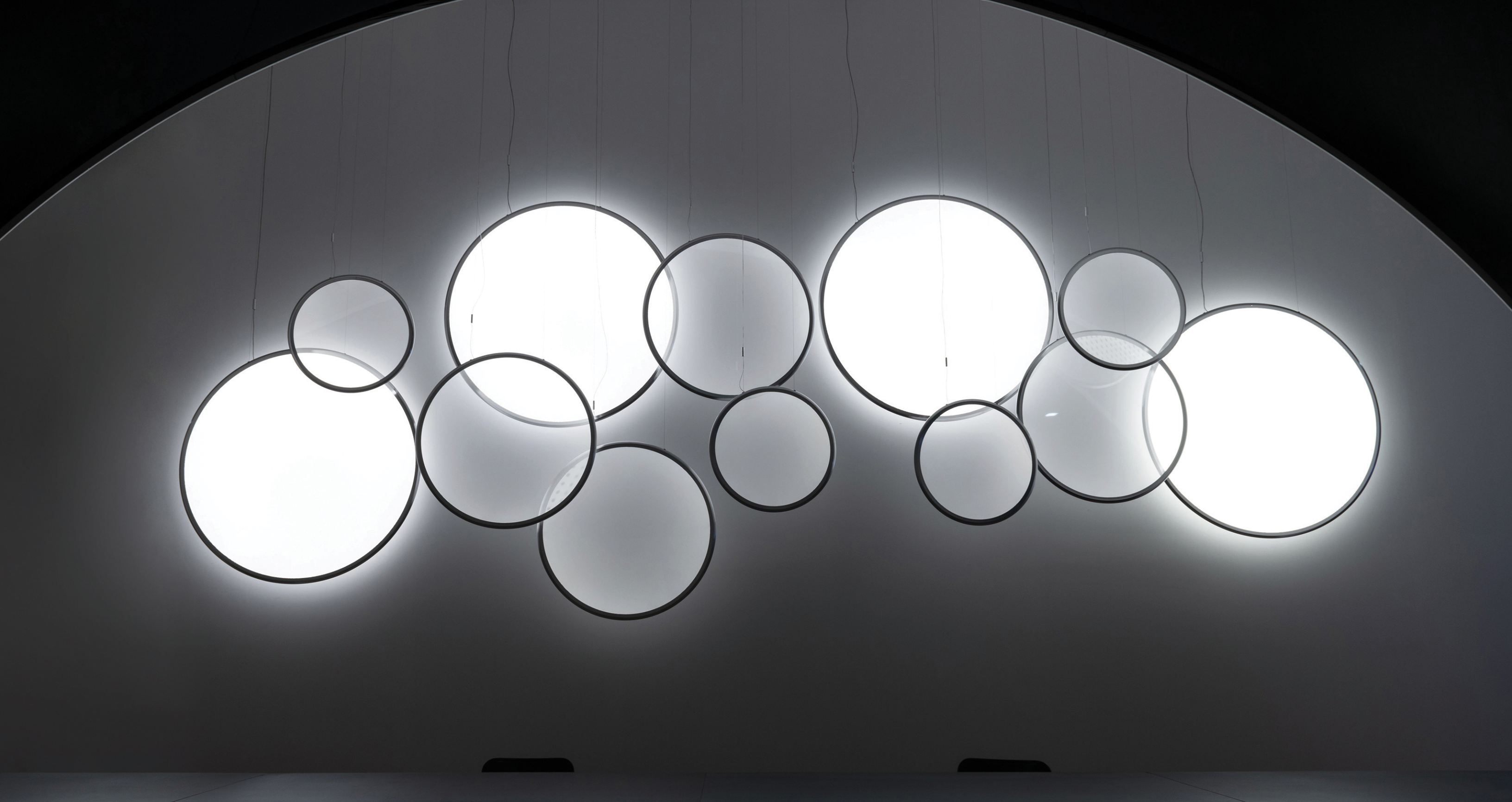


Discovery
↪ Visible



Discovery
↪ Invisible





3 Sizes 70, 100, 140
3 Finishes Silver, Black, Bronze

↗ Patent of Invention

Discovery, thanks to its invention patent, is increasingly the perfect synthesis of Artemide's values, knowledge, innovative research and know-how.

An ultra-lightweight circular aluminum profile houses an LED strip that injects into a transparent PMMA surface with a pattern of distributed micro-incisions for a efficiency and uniformity.



BARCHITTA CLINIC, SPINEA, ITALY
Photo Credit : Start Contractor



BABELA HOSTEL, MILAN
Photo Credit : Riccardo Gasperoni

Discovery Typologies

An ultra-light aluminum profile hosts a LED strip that injects light into a technopolymer surface with microengravings. The microengravings pattern ensures maximum efficiency

and uniformity in direct and indirect emission. Dimmable devices (push dimmer). Available as suspension and wall/ceiling Ø 70 cm, as vertical suspension Ø 70-100-140 cm.

Discovery Horizontal Suspension



XF 46W
(>45°) 2298 lm

UGR<19
Uniform and diffuse light suitable for workplaces. High-end and innovative technology. Maximum efficiency and uniformity. Perfectly transparent surfaces. Extracting light.

Discovery Vertical Ø 70 Suspension



XF 40W
(>45°) 2857 lm

Discovery Vertical Ø 100 Suspension



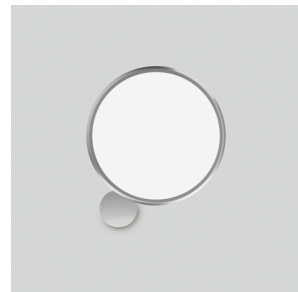
XF 60W
(>45°) 4859 lm

Discovery Vertical Ø 140 Suspension



XF 80W
(>45°) 6762 lm

Discovery Wall



XF 46W
(>45°) 2298 lm





ATTIMI BY HEINZ BECK - MILAN, ITALY
Photo Credit : Andrea Martiradonna



ATELIER CAZZARO COSTRUZIONI
Photo Credit : Federico Villa

Discovery

Technical Data

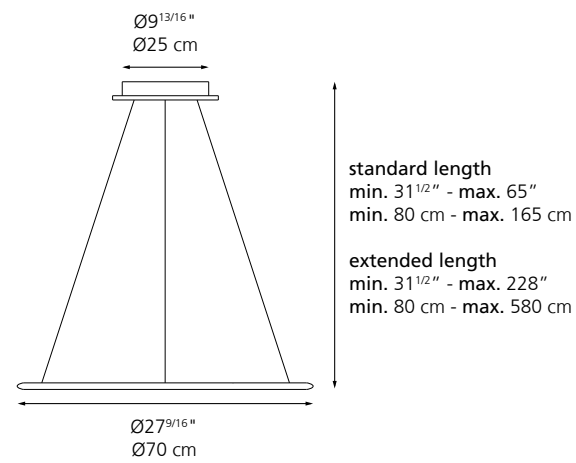
Discovery Suspension

Diffuser	Rim	Rim	Rim
○	●	●	●
Transparent	Polished Aluminum	Black	Bronze

MacAdam 3SDCM, Life L90 (6K)
50000h. Dimmable 2-Wire.



W	Voltage	CCT	Delivered Lumens	Beam	CRI
46W	120V	3000K	2298 lm	XF	>90



«GAGARIN» INTERNATIONAL AIRPORT VIP ZONE, SARATOV, RUSSIA
Photo Credit : Sergey Ananyev

Discovery

Technical Data

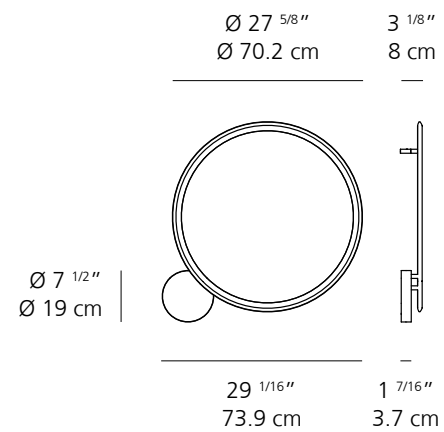
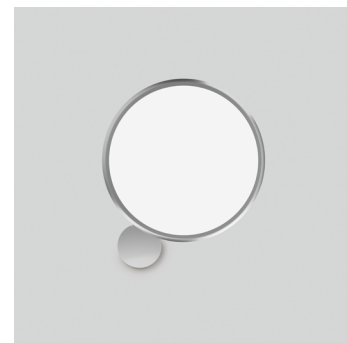
Discovery Wall

Diffuser	Rim	Rim	Rim
○ Transparent	● Polished Aluminum	● Black	● Bronze

MacAdam 3SDCM, Life L90 (6K)
50000h. Dimmable 2-Wire.



W	Voltage	CCT	Delivered Lumens	Beam	CRI
46W	120V	3000K	2298 lm	XF	>90



THE MODERNIST HOTEL, TRIESTE, ITALY
Project: Arch. Ana Jokic

Discovery

Technical Data

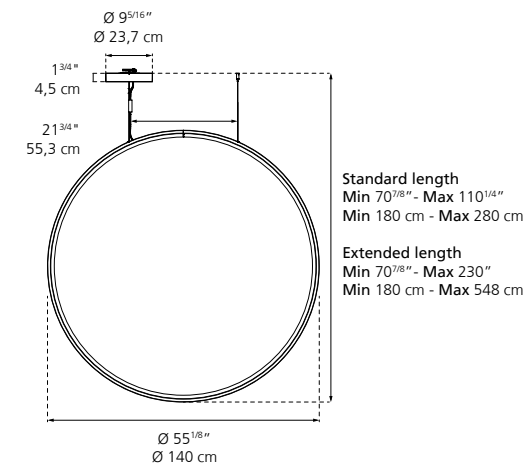
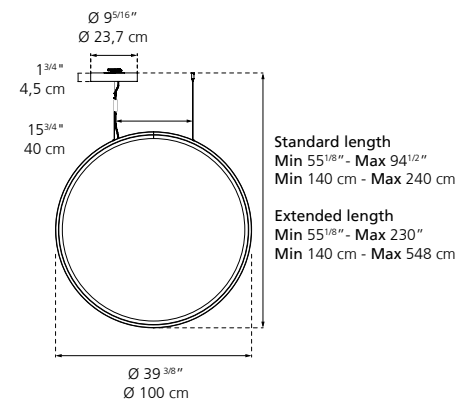
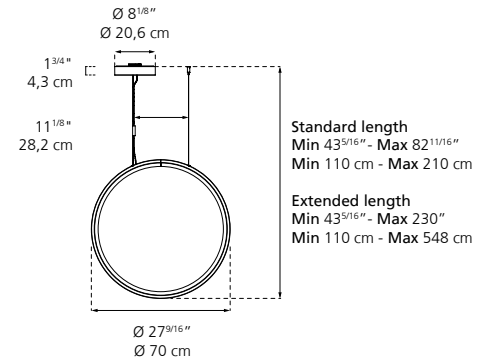
Discovery Vertical Suspension

Diffuser	Rim	Rim	Rim
○ Transparent	● Polished Aluminum	● Black	● Bronze

MacAdam 3SDCM, Life L90 (6K)
50000h. Dimmable 2-Wire.



Ø	W	Voltage	CCT	Delivered Lumens	Beam	CRI
70 cm	40W	120V	3000K	2857.48 lm	XF	>90
100 cm	60W	120V	3000K	4859 lm	XF	>90
140 cm	80W	120V	3000K	6761.93 lm	XF	>90





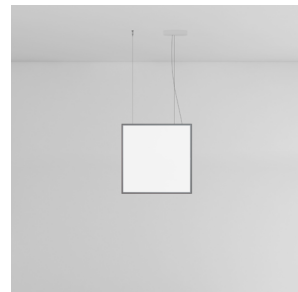
BIENALE OF VENICE, VENICE, ITALY




↗ Discovery Space Typologies

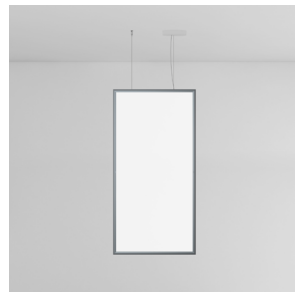
Discovery Space is available in two versions, square 900x900 and Rectangular 750x1500 with the white, TW and RGBW emissions. Through the use of two support cables, Discovery Space can be installed both vertically and horizontally, giving the possibility to create different wings that shape the spaces through presence and absence given by its different levels of transparency.


Square Suspension

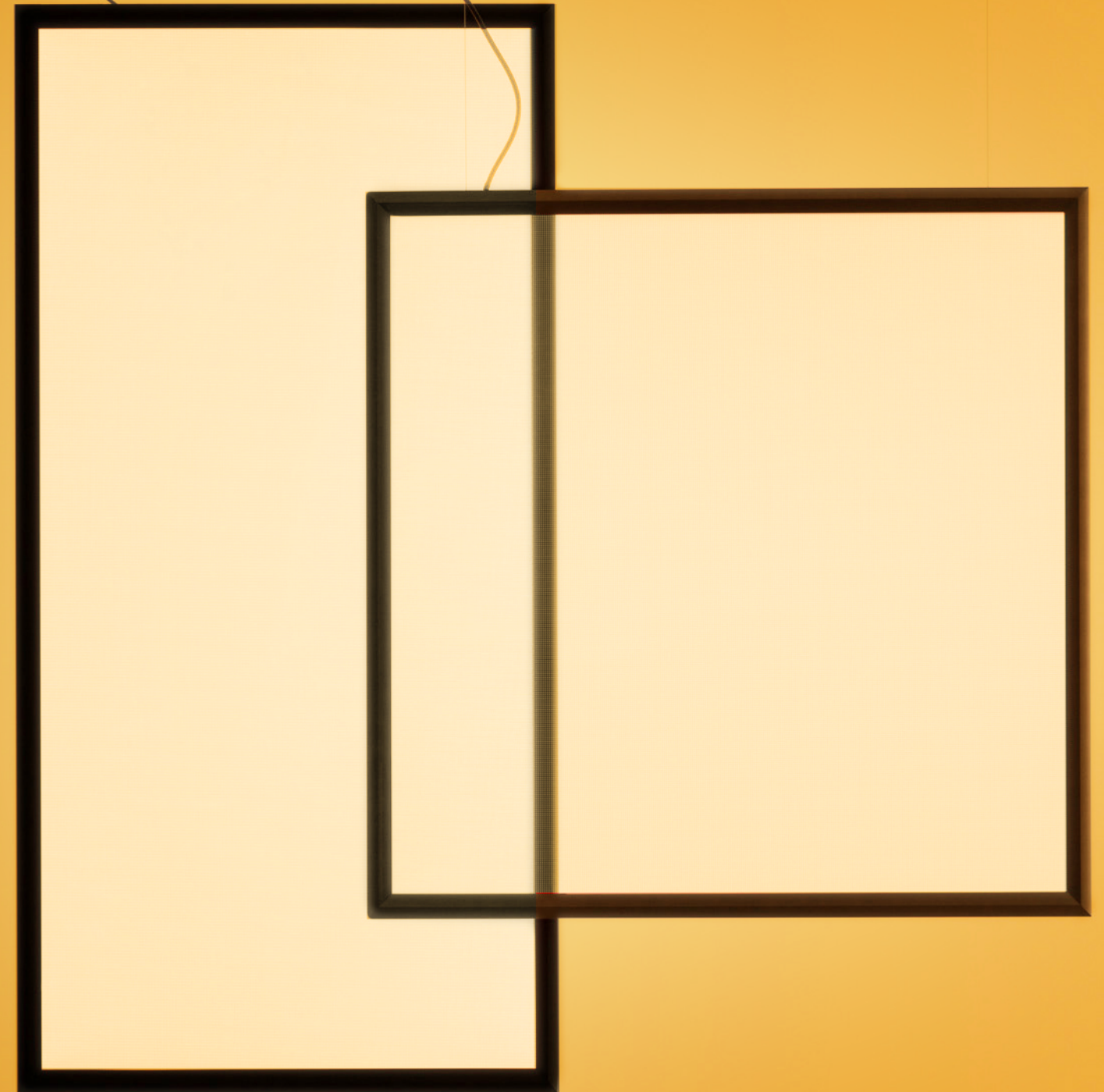


 XF
(>45°) 34W
1955 lm

Rectangle Suspension



 XF
(>45°) 52W
4003 lm






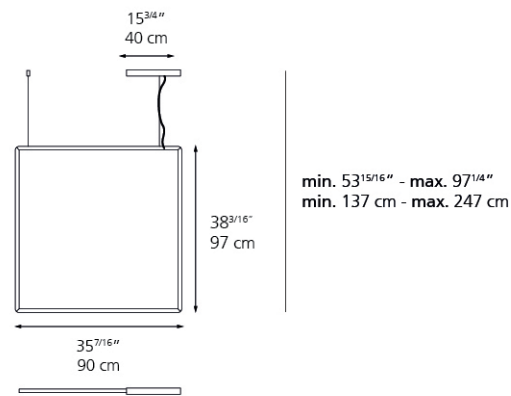
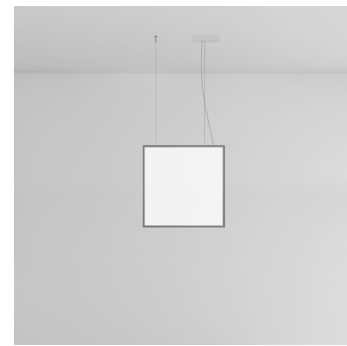
Discovery Space

Technical Data

Discovery Space Square Suspension

Diffuser ○	Rim ●	Rim ●	Rim ●	MacAdam 3SDCM, Life L90 (6K) 50000h. Dimmable 2-Wire Can be installed vertically and horizontally	
Transparent	Black	Bronze	Polished Aluminum		


W	Voltage	CCT	Delivered Lumens	Beam	CRI
34W	120V	3000K	4002lm	XF	>90



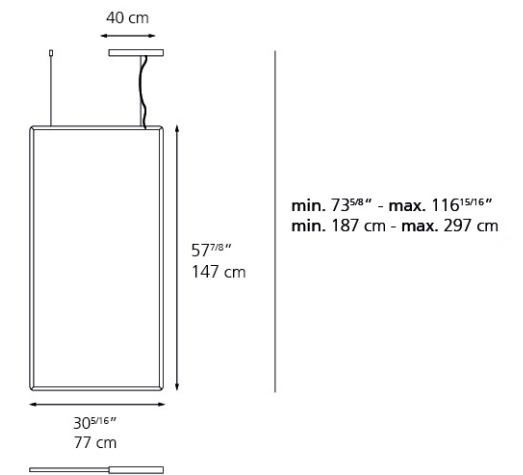
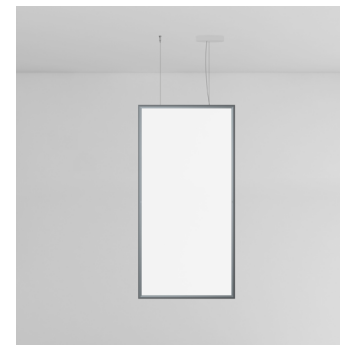
Discovery Space

Technical Data

Discovery Space Rectangle Suspension

Diffuser ○	Rim ●	Rim ●	Rim ●	MacAdam 3SDCM, Life L90 (6K) 50000h. Dimmable 2-Wire Can be installed vertically and horizontally	
Transparent	Black	Bronze	Polished Aluminum		

W	Voltage	CCT	Delivered Lumens	Beam	CRI
54W	120V	3000K	1995lm	XF	>90





Artemide INC

250 Karin Lane
Hicksville, NY 11801
Tel. 631-694-9292
artemide.net

Artemide LTD

11105 rue Renaude Lapointe
Montréal, Québec, H1J 2T4
Tel. 514-323-6537
artemide.net



ISO 9001:2015



ISO 14001:2015



ISO 45001:2018



**CTF STAGE2
ISO 17025**

Artemide INC - Artemide LTD

Si riserva la facoltà di modificare, in qualunque momento e senza preavviso, le caratteristiche tecniche degli elementi illustrati nel presente catalogo.

Artemide INC - Artemide LTD

Reserves right to change, at any time and without prior warning, the technical specifications of any product illustrated in this catalogue.

Artemide INC - Artemide LTD

Se réserve le droit de modifier, à n'importe quel moment et sans préavis, les caractéristiques techniques des éléments illustrés dans ce catalogue.

Artemide INC - Artemide LTD

Behält sich das recht vor jederzeit und ohne ankündigung die technischen daten der im katalog abgebildetem produkte zu ändern.

Artemide INC - Artemide LTD

Se reserva la facultad de modificar, en cualquier y sin aviso previo, las características técnicas de los elementos ilustrados en el presente catálogo.